



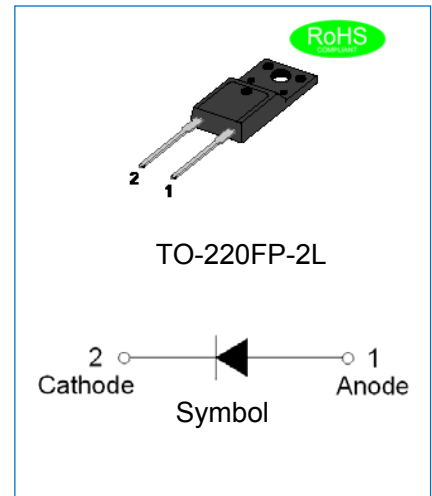
JEER0806FPL

EPI SUPERFAST SOFT RECOVERY RECTIFIER

Rev.1.2

DESCRIPTION

- ✧ Plastic package has underwriters laboratory flammability classification 94V-0
- ✧ Lead free in comply with EU RoHS 2011/65/EU directives
- ✧ Low reverse leakage current
- ✧ Superfast recovery time and soft recovery characteristics
- ✧ Low recovery loss



MECHANICAL DATA

- ✧ Case: TO-220FP-2L molded plastic over passivated junction
- ✧ Terminals: Solder plated, solderable per J-STD-002
- ✧ Weight:2 gram

ABSOLUTE MAXIMUM RATING (Rating at 25°C case temperature unless otherwise specified.)

| Parameter | Symbol | JEER0806FPL | Unit |
|--|----------------|-------------|------------------|
| Maximum repetitive peak reverse voltage | V_{RRM} | 600 | V |
| Maximum RMS voltage | V_{RMS} | 420 | V |
| Maximum DC blocking voltage | V_{DC} | 600 | V |
| Maximum average forward rectified current at $T_C=100^\circ\text{C}$ | $I_{F(AV)}$ | 8 | A |
| Peak forward surge current: 8.3ms single half sine-wave superimposed on rated load | I_{FSM} | 125 | A |
| Junction temperature and storage temperature range | T_j, T_{stg} | -55 to +175 | $^\circ\text{C}$ |

ISOLATION CHARACTERISTICS

| Symbol | Parameter | Conditions | Min | Typ. | Max. | Unit |
|-----------------|-----------------------|--|-----|------|------|------|
| $V_{isol(RMS)}$ | RMS isolation voltage | 50Hz \leq f \leq 60Hz;RH \leq 65%;from all pins to external heatsink; sinusoidal waveform; clean and dust free | - | - | 2500 | V |
| C_{isol} | Isolation capacitance | from cathode to external heatsink | - | 10 | - | pF |

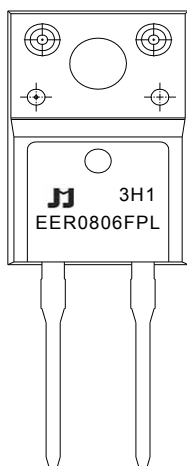
ELECTRICAL CHARACTERISTICS(Rating at 25°C case temperature unless otherwise specified.)

| Parameter | | Symbol | Min. | Typ. | Max. | Unit |
|---|------------------------------------|----------|------|------|------|---------|
| Forward voltage | $I_F=8A, T_j=25^\circ C$ | V_F | - | - | 1.7 | V |
| Maximum DC reverse current at rated DC blocking voltage | $T_j=25^\circ C$ | I_R | - | - | 5 | μA |
| | $T_j=150^\circ C$ | | - | - | 200 | |
| Maximum reverse recovery time | $I_F=0.5A, I_R=1.0A, I_{rr}=0.25A$ | t_{rr} | - | - | 35 | ns |

THERMAL RESISTANCES

| Symbol | Parameter | Min. | Typ. | Max. | Unit |
|---------------|-------------------------------------|------|------|------|--------------|
| $R_{th(j-c)}$ | Junction to case thermal resistance | - | 4 | - | $^\circ C/W$ |

MARKING



| | |
|-----|----------------------------------|
| EER | EPI Superfast Recovery Rectifier |
| 08 | $I_{F(AV)}=8A$ |
| 06 | $V_{RRM}:600V$ |
| FPL | Package:TO-220FP-2L |

$\underline{x}H1$: Month, 1、2、3 ~ 9、A、B、C

$3\underline{x}1$:

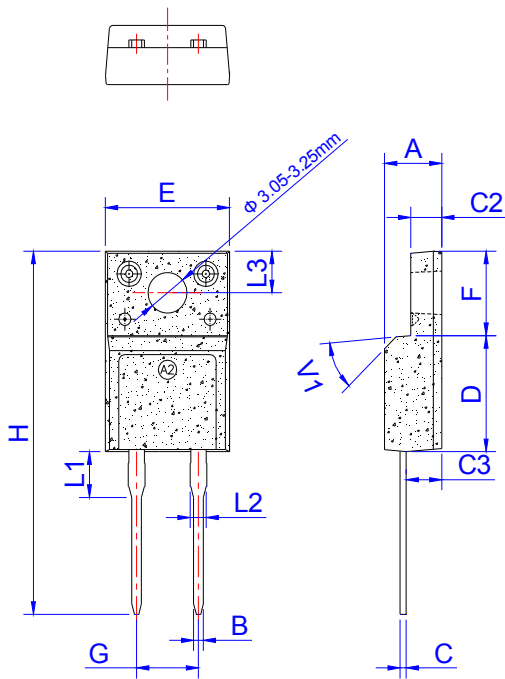
| | | | | | | |
|------|------|------|------|------|------|------|
| 2018 | 2019 | 2020 | 2021 | 2022 | 2023 | 2024 |
| H | I | J | K | L | M | N |
| 2025 | 2026 | 2027 | 2028 | 2029 | 2030 | ... |
| O | P | Q | R | S | T | ... |

$3H\underline{x}$: Batch number

ORDERING INFORMATION

| | | | | | | |
|--|----------------------------|----------------------------------|----------------------------------|---|---|---|
| <p>J</p> <p>JIEJIE Microelectronics</p> | <p>E</p> <p>Epi</p> | <p>E</p> <p>Superfast</p> | <p>R</p> <p>Rectifier</p> | <p>08</p> <p>$I_{F(AV)}=8A$</p> | <p>06</p> <p>$V_{RRM}:600V$</p> | <p>FPL</p> <p>Package: TO-220FP-2L</p> |
|--|----------------------------|----------------------------------|----------------------------------|---|---|---|

PACKAGE MECHANICAL DATA

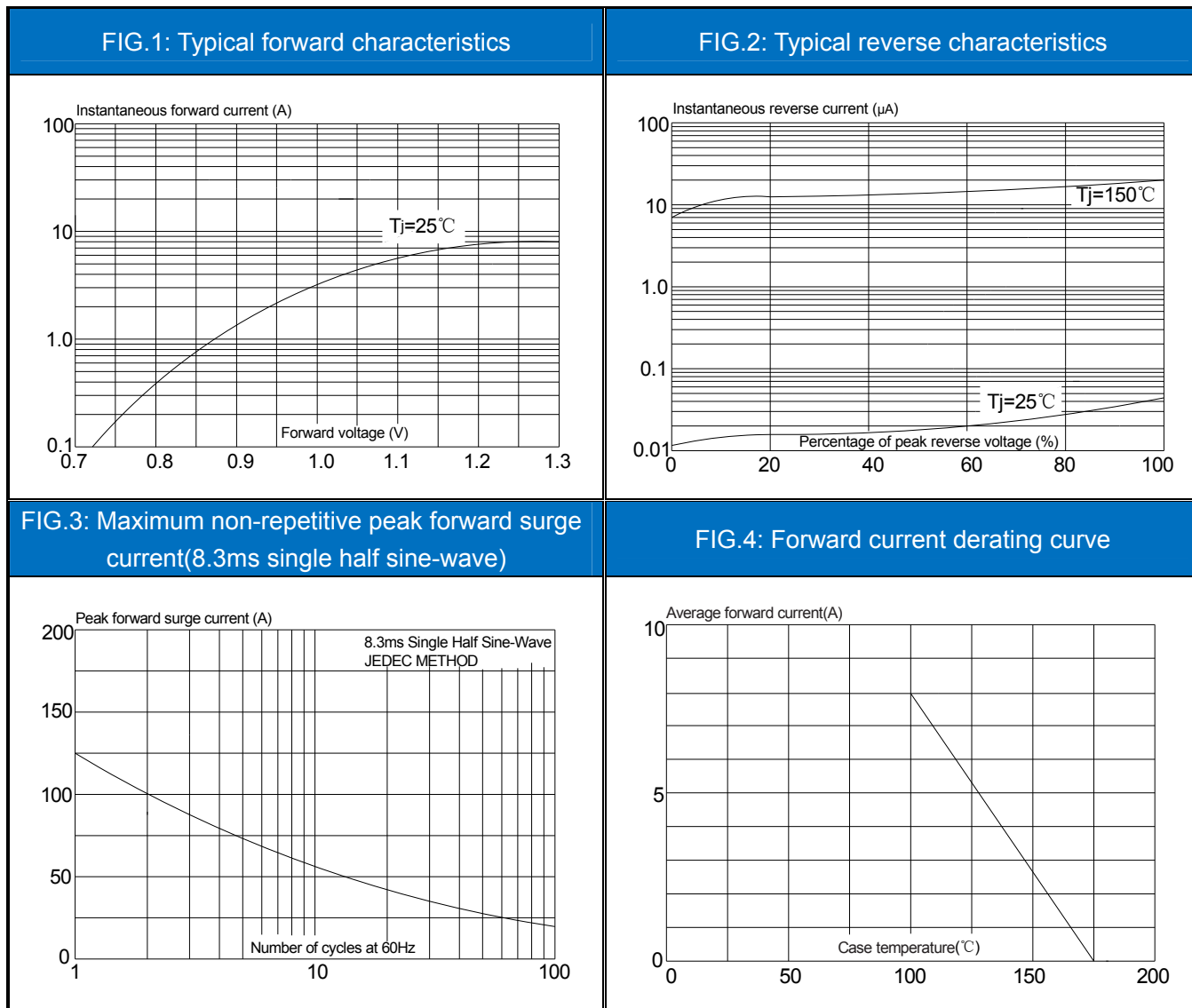


| Ref. | Dimensions | | | | | |
|------|-------------|------|------|--------|-------|-------|
| | Millimeters | | | Inches | | |
| | Min. | Typ. | Max. | Min. | Typ. | Max. |
| A | 4.50 | | 4.90 | 0.177 | | 0.193 |
| B | 0.74 | 0.80 | 0.83 | 0.029 | 0.031 | 0.033 |
| C | 0.47 | | 0.65 | 0.019 | | 0.026 |
| C2 | 2.45 | | 2.75 | 0.096 | | 0.108 |
| C3 | 2.60 | | 3.00 | 0.102 | | 0.118 |
| D | 8.80 | | 9.30 | 0.346 | | 0.366 |
| E | 9.80 | | 10.4 | 0.386 | | 0.410 |
| F | 6.40 | | 6.80 | 0.252 | | 0.268 |
| G | | 5.08 | | | 0.200 | |
| H | 28.0 | | 29.8 | 1.102 | | 1.173 |
| L1 | | 3.63 | | | 0.143 | |
| L2 | 1.14 | | 1.70 | 0.045 | | 0.067 |
| L3 | | 3.30 | | | 0.130 | |
| V1 | | 45° | | | 45° | |

PACKAGE INFORMATION-TO-220FP-2L

| OUTLINE | UNIT WEIGHT (g/PCS) typ. | TUBE (PCS) | PER CARTON (PCS) |
|---------|-----------------------------|---------------|---------------------|
| TUBE | 2 | 50 | 5,000 |

CHARACTERITICS CURVE



Information furnished in this document is believed to be accurate and reliable. However, Jiangsu JieJie Microelectronics Co.,Ltd assumes no responsibility for the consequences of use without consideration for such information nor use beyond it.

Information mentioned in this document is subject to change without notice, apart from that when an agreement is signed, Jiangsu JieJie complies with the agreement.

Products and information provided in this document have no infringement of patents. Jiangsu JieJie assumes no responsibility for any infringement of other rights of third parties which may result from the use of such products and information.

This document is the 1.2nd version which is made in 28-July-2021. This document supersedes and replaces all information previously supplied.



is a registered trademark of Jiangsu JieJie Microelectronics Co.,Ltd.

Copyright ©2021 Jiangsu JieJie Microelectronics Co.,Ltd. Printed All rights reserve.